

Back

- o Flat Cable Connectors SEK
- o *har-mik®*
- o D-Sub
- o InduCom

➔ Applications



## Product details

**09 31 006 2701**

**Female insert, Han 6 HsB**

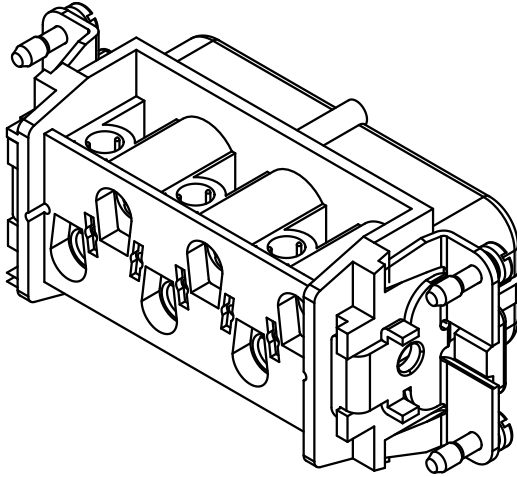
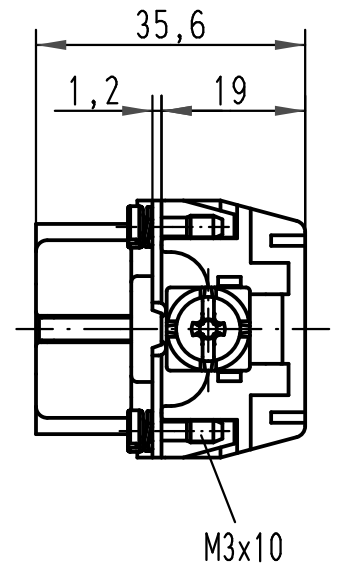
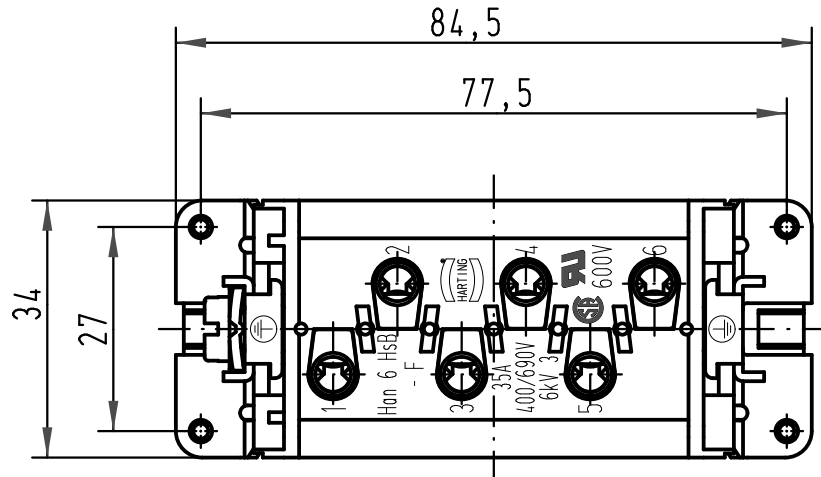
Series	Han® HsB
Number of contacts	6 poles + PE
Size of hood/ housing	Han® 16 B
Termination	Screw termination
Insert material	Standard material
Contacts	Inclusive
Electrical data	35 A 400/690 V 6 kV 3
RoHS compliant	Yes

### Available Downloads

Title	Format	
Data sheet	PDF	↕ download
CAD data 2D	DXF	↕ download
CAD data 3D	IGES	↕ download
CAD data 3D	STEP	↕ download

**Inquiry**

5 4 3 2 1



	All Dimensions in mm Original Size DIN A 4			Techn. Character.		Nicht tolerierte Maße/Free size tolerances		
				Dat.	Name	Maßstab/Scale  1:1	Han 6 HsB (1-6) Buchsenträger / female insert	
			Detail.	13.02.01	Gü			
			Insp.		Rü			
			Stand.					
413214	14.09.07	Rull	HARTING Electric GmbH & Co. KG D-32339 Espelkamp				TB 09 31 006 2701	Blatt/ page /
29192							Sub. TB 09 31 006 27.1 vom 25.02.93	
Mod.	Dat.	Name						